

Air2-DT200T -XDT200W -XIR200W



INDOOR WIRELESS DETECTORS

Air2-DT200T

The Air2-DT200T is a wireless curtain infrared/microwave detector that thanks to the combination of two sensors and digital signal analysis provides precision sensing and tracking of motion in the protected area.

The use of dual technology provides the highest sensitivity available whilst virtually eliminating false alarms.

The temperature compensation feature allows the detector to adapt to almost all types of ambient conditions.

The shock and tilt sensor protects the device against attempts to remove or open the detector enclosure, whilst the anti-masking function detects any kind of interference.



Air2-DT200T

Air2-XIR200W Air2-XDT200W



The Air2-XIR200W and Air2-XDT200W are the INIM's Xline series wireless volumetric motion detectors, and are especially suitable for professional indoor applications.

Air2-XIR200W is a passive infrared detector (PIR). Its technology is based on digital signal analysis, a dual pyroelectric element capable of detecting infrared radiation and an innovative signal filter. It provides precision motion sensing in the protected area and, thanks to the programmable pulse count feature, high false alarm immunity.

The temperature compensation feature allows the detector to adapt to the conditions of its environment, while the shock and tilt sensor protect it against tamper attempts.

Air2-XDT200W has the same design features but is a dual technology detector (microwave and PIR).

Also in this case, precision motion sensing, temperature compensation and shock and tilt protection are assured, as are the reliability and high false alarm immunity provided by the combination of dual technology and the pulse count feature.

The security measures included in the Air2-XDT200W are completed by the anti-masking function made available by the microwave sensor.



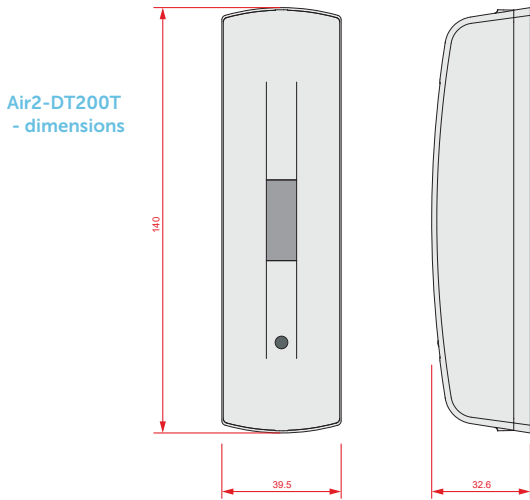
Air2-XDT200W
Air2-XIR200W

Main features	Air2-DT200T	Air2-XDT200W	Air2-XIR200W
Communication with wireless devices	Two-way		
Operating frequency	868 MHz		
Programmable supervision time of wireless devices	from 12 to 250 minutes		
Sensor type	digital dual PIR, microwave module		digital dual PIR
MW frequency	K band	K band	No
Coverage	3m	8m	12m
Installation	ceiling mount	Wall mount, with or without bracket	
Installation height	3m		
Digital signal analysis	Yes		
Protections	Anti-masking and inertial tamper protection	Inertial tamper and MW anti-masking protection	Inertial tamper protection
Motion direction detection	Yes	No	
Temperature compensation	Yes		
Bypassable LED	Yes		
Alarm pulses	from 1 to 2	from 1 to 4	
Battery	Lithium CR17450 3V		
Estimated battery life	3 years		
Current draw	stand-by 30µA maximum 30mA		stand-by 20µA maximum 30mA
Dimensions (HxWxD)	140x39.5x32.6mm	120x60x44mm	
Weight	93g	102g	98g
Available colours	White, Brown		White

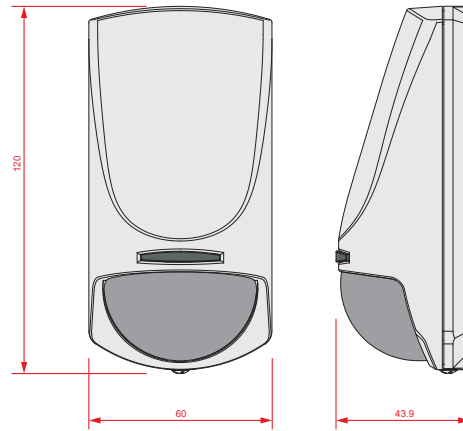
AIR2-DT200T

AIR2-XDT200W

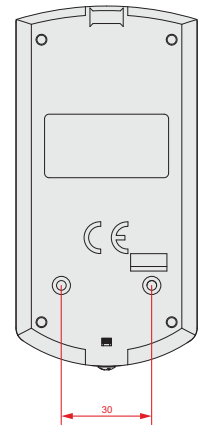
AIR2-XIR200W



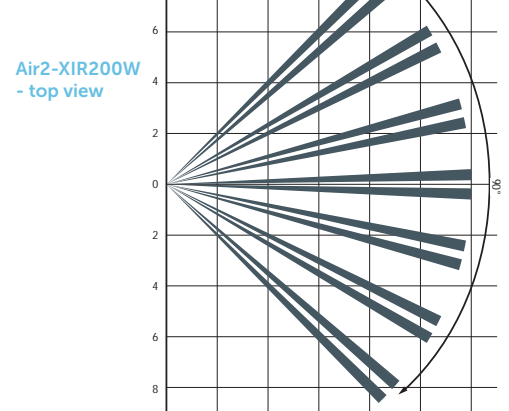
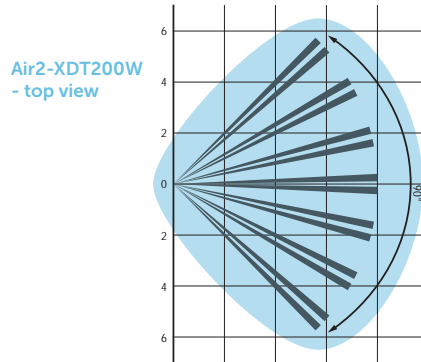
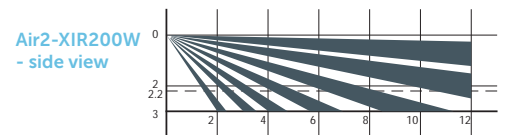
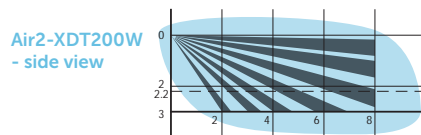
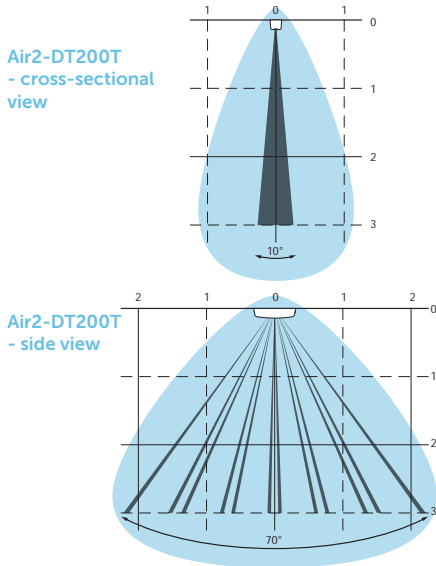
Air2-XDT200W,
Air2-XIR200W
- dimensions



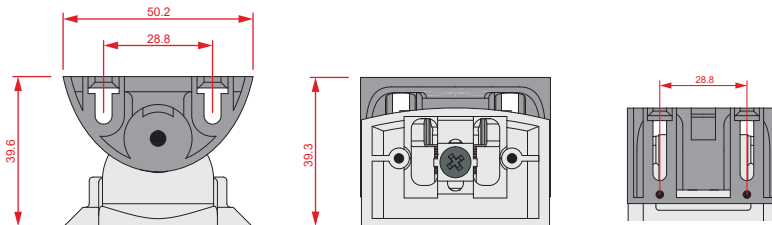
Air2-XDT200W,
Air2-XIR200W
- back



COVERAGE



XBK100 - XLINE MOUNT BRACKET



ORDER CODES

- Air2-DT200T/B:** wireless dual technology curtain detector with anti-masking protection. White colour.
- Air2-DT200T/M:** wireless dual technology curtain detector with anti-masking protection. Brown colour.
- Air2-XDT200W:** wireless digital dual technology detector 8m volumetric coverage.
- Air2-XIR200W:** wireless digital infrared detector 12m volumetric coverage.
- XBK100:** swivel bracket for Xline detectors.



Centobuchi, via Dei Lavoratori 10
63076, Monteprandone (AP), ITALY
Tel. +39 0735 705007 _ Fax +39 0735 704912

info@inim.biz _ www.inim.biz

Inim distributor's stamp and signature