

Air2-BXS-RAM, Air2-QXI-RDT

WIRELESS OUTDOOR MOTION DETECTORS

The BXS and QXI series detectors are devices dedicated to outdoor security solutions, ideal for both residential and commercial applications.

The BXS series is a range of dual PIR detectors with curtain coverage of up to 12 meters on each side ideal for detecting persons in the immediate vicinity of the protected building. The left and right detection zones are completely independent and can easily be associated with CCTV systems. They integrate an active IR anti-masking function for a more effective protection against tamper attempts.

The QXI series is a range of dual technology volumetric PIR + Microwave detectors with a maximum coverage of 12 meters and a detection area of 120°. They are ideal for detecting persons not yet in the immediate vicinity of the building. They can be mounted at different heights selectable during the installation phase and provide high-end performance pet immunity.

Both series are supplied in the Air2 version, with the Air2-UT100/S transceiver inside for two-way wireless communication with Inim Electronics anti-intrusion control panels, and in the standard version, without transceiver.



QXI-RDT

BXS-RAM

— MAIN FEATURES

Air2-BXS-RAM

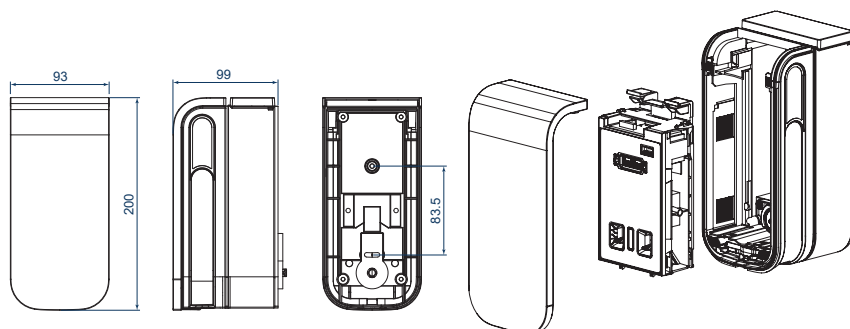
- Wireless dual PIR detector for outdoor installation
- 4 PIR sensors
- Active IR anti-masking
- Adjustable range, max. 12+12m on each side
- Curtain detection (180° narrow beam)
- DX/SX independent alarm output or general
- Fault output
- Built-in self-test function
- White

Air2-QXI-RDT

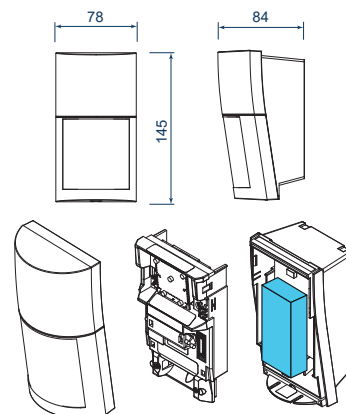
- Wireless dual technology detector for outdoors
- Quad PIR + microwave
- Microwave white light immunity
- Max. Range 12m
- Coverage angle 120°
- General alarm output
- Fault output
- Built-in self-test function
- Selectable installation height
- White

Technical specifications	Air2-BXS-RAM	BXS-RAM	Air2-QXI-RDT	QXI-RDT
Battery type	ER17505M - 3.6V 2800mAh Lithium, 17x50mm, supplied	CR123A (3 V DC, 1300 mAh) CR2 (3 V DC, 750 mAh) 1/2 AA (3.6V DC, 1000 mAh)	ER17505M - 3.6V 2800mAh Lithium, 17x50mm, supplied	CR123A (3 V DC, 1300 mAh)
Estimated battery life	4 years	3 years	4 years	3 years
Current consumption	16 µA in stand-by; 8mA max. @ 3 Vcc		16 µA in stand-by; 11mA @ 3 Vcc max.	
Operating frequency	868MHz	-	868MHz	-
Communication type	Two-way	-	Two-way	-
Modulation	GFSK	-	GFSK	-
Detection method	Passive infrared		Passive infrared and microwave	
Coverage	24 m (12 m on each side, selectable) 180° narrow beam		12m 120° in width	
PIR zones	4 zones (2 zones on each side)		Multilevel: 40 zones Pet Alley: 18 zones	
Sensitivity	Selectable: 2°C @0.6m/s (normal) 0 1°C @0.6m/s (high)		Fixed: 2°C @0.6m/s	
Protections	Anti-dislodgement, anti-opening, IR anti-masking		Anti-dislodgement, anti-opening, MW white light immunity	
LED indicators	Bypassable red LED			
Operating temperature	from -30° to +60°C		from -40° to +45°C	
Ambient humidity	95% max.			
Degree of protection	IP55		IP54	
Mounting	wall, pole (outdoor, indoor)		wall, (outdoor, indoor)	
Mounting height	from 0.80 a 1.20 m		Multilevel: from 2.20 to 2.70 m or from 0.80 to 1.20 m (pet alley)	
Dimensions (W x H x D)	93 x 200 x 99 mm		78 x 145 x 84 mm	
Weight	590g	550g	270g	230g

INSTALLATION

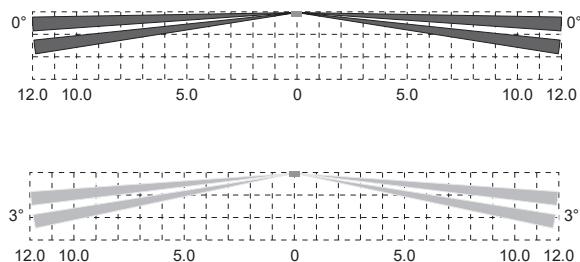


Air2-BXS-RAM

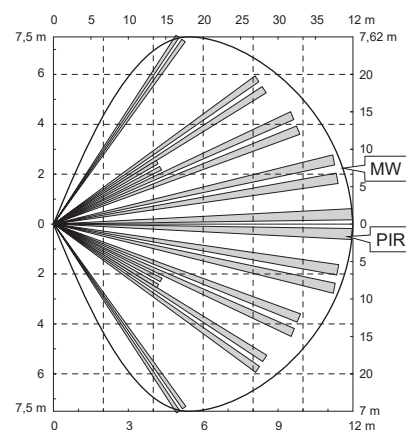


Air2-QXI-RDT

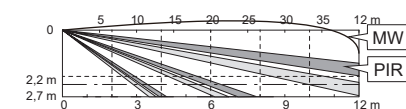
Coverage



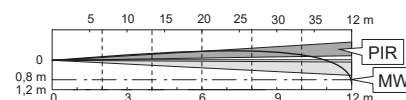
Air2-BXS-RAM – Top view



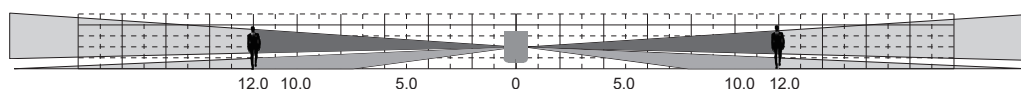
Air2-QXI-RDT – Top view



Air2-QXI-RDT – Lateral view



**Air2-QXI-RDT – Lateral view
(pet alley)**



Air2-BXS-RAM – Lateral view

Selectable coverage on 5 levels (2.50, 3.50, 6.00, 8.50, 12.00 m)

ORDER CODES

- Air2-BXS-RAM(W)-NB** Wireless perimeter detector for outdoors with integrated Air2-UT100/S transceiver
- BXS-RAM(W)-NB** Wireless perimeter detector for outdoors
- Air2-QXI-RDT-X5-NB** Wireless volumetric detector for outdoors with integrated Air2-UT100/S transceiver
- QXI-RDT-X5-NB** Wireless volumetric detector for outdoors

Accessories

- BXS FACE COVER (W)** Front cover for BXS detector, white casing
- BXS FACE COVER (S)** Front cover for BXS detector, silver casing
- BXS FACE COVER (BL)** Front cover for BXS detector, black casing
- BXS BACK BOX (W)** Base for BXS detector, white casing
- BXS BACK BOX (BL)** Base for BXS detector, black casing
- BXS BACK BOX CAPS (W)** Base cover for BXS detector, white casing
- BXS BACK BOX CAPS (S)** Base cover for BXS detector, silver casing
- BXS BACK BOX CAPS (BL)** Base cover for BXS detector, black casing
- BXS POLE MOUNT PLATE** Mounting plate for BXS detector
- CA-1W(W)** Wall mount bracket for QXI detector
- CA-2C(W)** Ceiling mount bracket for QXI detector



Centobuchi, via Dei Lavoratori 10
63076, Montepandone (AP), ITALY
Tel. +39 0735 705007 _ Fax +39 0735 704912

info@inim.biz _ www.inim.biz

DCSTINE0A2BXSQXI-100-20220623

Inim distributor's stamp and signature