

Joy, nCode, Concept, Aria/HG



KEYPADS WITH LCD GRAPHIC DISPLAY



Aria/HG

nCode/GB

Concept/GN

Joy/MAX

The keypad is an extremely flexible peripheral device which allows users to manage the system with ease. The installer assigns the partitions and portions/sections of the system that users, with assigned codes, will have access to via the keypad in use. The graphic display shows all the necessary information and provides an advanced user-interface based on icons for instant and clear indications relating to the operations to be performed.

Accessing the keypad

All users have PINs which allow them to access and control the system via the keypad in accordance with their permitted access level.

Shortcuts

It is possible to extend the use of some of the system shortcuts to users without assigned codes.

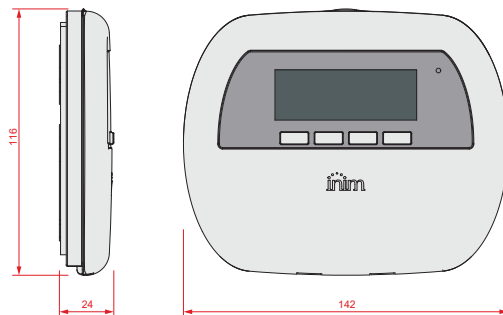
It is possible to use macro-functions at the keypads ("Shortcuts") associated with keys, to enable building occupants to access and operate on the system without code entry.

Chrono-thermostat

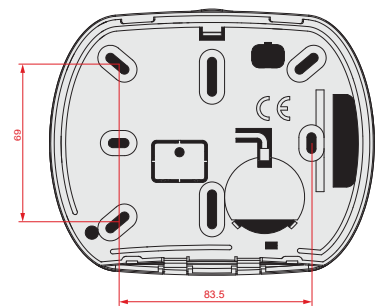
A keypad can provide a programmable chronothermostat function. This function allows you to set up zone management (one zone per keypad) of the heating/air-conditioning system.

The temperature is read by a built-in temperature sensor. The hysteresis is fixed at 0.4°C.

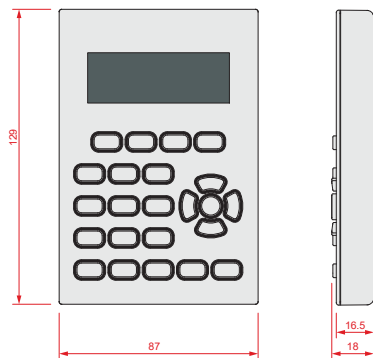
Joy - dimensions



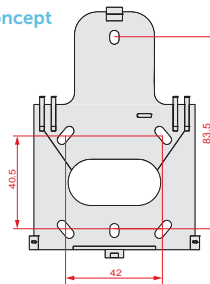
Joy - back



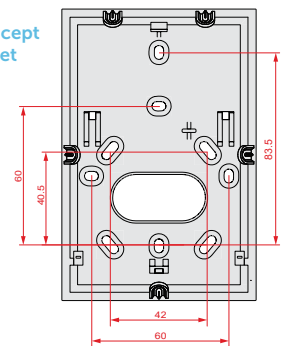
nCode - dimensions



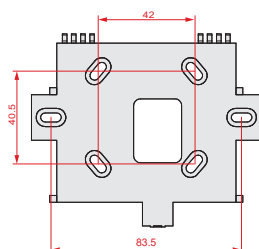
nCode / Concept - bracket



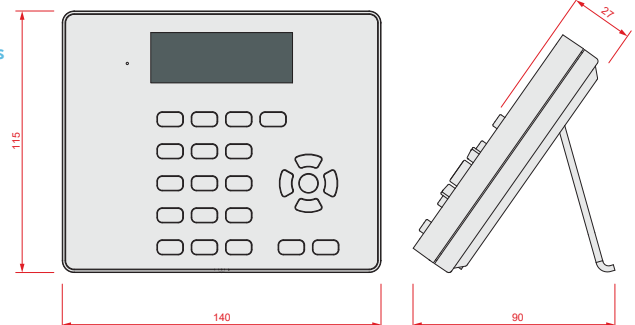
nCode / Concept - deep bracket



Aria/HG - wall bracket



Aria/HG - dimensions



LCD KEYPADS

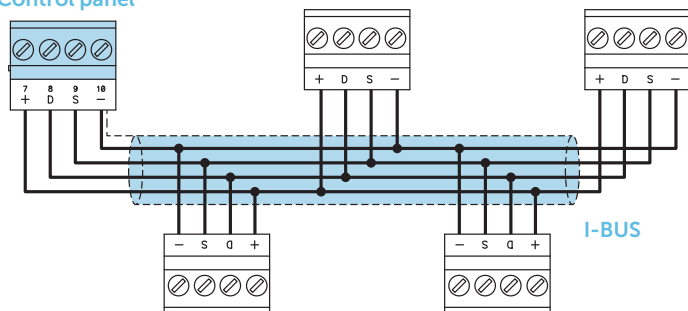


Main features

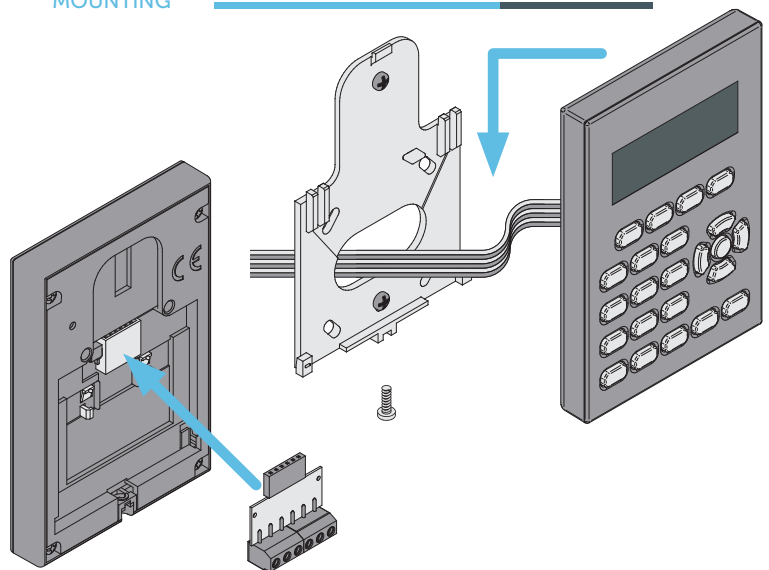
	Joy/GR	Joy/MAX	nCode/G	Concept/G	Aria/HG
Backlit graphic display	LCD 96x32				
Icon Easy4U interface	Yes				
Vocal Easy4U interface	No	Yes	No	No	Yes
Programmable backlighting	Yes				
4 signal LEDs	Yes				
FlexIO terminals programmable as inputs or outputs	2	2	1	1	2
Input terminals accept rollerblind sensors	Yes				
Output terminals	Yes (150mA)				
Signal buzzer	Yes				
Anti-tamper and anti-dislodgement switches	Yes				
Mounts to "503" box	Horizontal		Vertical		Horizontal
Brightness sensor	No	No	No	No	Yes
Backlight activated by proximity sensor	No	No	No	Yes	No
Microphone and speaker for:	No	Yes	No	No	Yes
<ul style="list-style-type: none"> • user menu voice prompts • message recording • message playback • intercom • answerphone • voice notifier • remote listen-in 					
Card/Tag reader with 4 programmable shortcuts	No	Yes	No	No	Yes
Temperature sensor with temperature display	No	Yes	No	No	Yes
Chronothermostat function	No	Yes	No	No	Yes
Dimensions (HxWxD)	116x142x24 mm	116x142x24 mm	129x87x18 mm	129x87x16.5 mm	140x125x27 mm
Weight	160 g	180 g	135g	155 g	228 g

CONFIGURATION DIAGRAM

Control panel



MOUNTING



ORDER CODES

Joy/GR: keypad with backlit graphic display for Inim anti-intrusion system control.

Joy/MAX: keypad with backlit graphic display with built-in card reader, microphone, loudspeaker and temperature sensor for Inim anti-intrusion system control.

nCode/GB: keypad with backlit graphic display for Inim anti-intrusion system control, in white enclosure.

nCode/GN: keypad with backlit graphic display for Inim anti-intrusion system control, in black enclosure.

Concept/GB: keypad with backlit graphic display and touch keys for Inim anti-intrusion system control, in white enclosure.

Concept/GN: keypad with backlit graphic display and touch keys for Inim anti-intrusion system control, in black enclosure.

Aria/HGX: keypad with backlit graphic display with built-in card reader, microphone, loudspeaker and temperature sensor for Inim anti-intrusion system control.



Centobuchi, via Dei Lavoratori 10
63076, Monteprandone (AP), ITALY
Tel. +39 0735 705007 _ Fax +39 0735 704912

info@inim.biz _ www.inim.biz

Inim distributor's stamp
and signature