



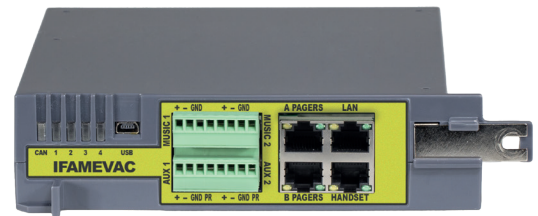
PREVIDIA | ULTRA

# IFAMEVAC

## AUDIO MATRIX MODULE FOR PREVIDIA ULTRA CONTROL PANELS

Audio matrix module for Previdia Ultra control panels (supplied already assembled in the Previdia-Ultravox and Previdia-Vox control panels).

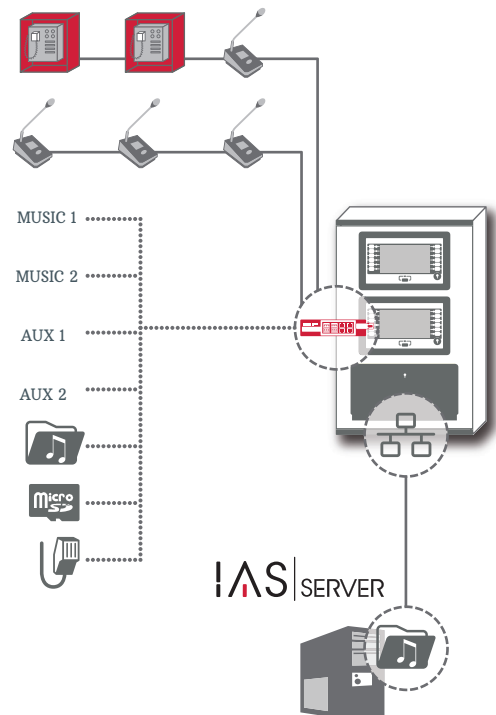
It fits inside the control panel cabinet on the CAN DRIVE+ connection bar and takes care of the digital processing of all audio sources. Provides 2 analogue inputs for external sound sources ("MUSIC 1" and "MUSIC 2"), 2 analogue inputs for external sound sources with priority request ("AUX 1" and "AUX 2"). It has an internal flash memory containing emergency messages and user-definable messages, SD card slot for user-defined audio files, 2 lines for standard or emergency microphone bases (max 64 per line), and connection to the Ethernet network for interaction with IASS and IAS-APP servers. Each control panel manages only one IFAMEVAC module.



## — TECHNICAL SPECIFICATIONS

### Main features

- Connects to the CAN DRIVE+ bar inside the control panel cabinet
- Hot arming/disarming ("hot swap")
- Maximum one IFAMEVAC module per control panel
- 2 analogue audio inputs ("MUSIC 1", "MUSIC 2") for external sources
- 2 analogue audio inputs ("AUX 1", "AUX 2") with priority enrollment via the "PR" input or via signal level
- 2 inputs for microphone base lines ("PAGER A", "PAGER B") for the connection of standard or emergency bases
- Maximum 64 microphone bases per line
- Ethernet/TCP-IP input for up/downloading of audio messages and connection with the IASS server
- Internal flash memory with 4 minutes of audio Preconfigured with emergency messages in different languages, customizable via configuration software
- SD card memory slot (not supplied) for additional audio messages (combinable with predefined conditions, activation of inputs, timers, etc.)
- RJ45 connector for connection with PTT microphone and emergency telephone, housed in the front panel of the control panel
- Volume adjustment and 3-band equalization of external audio sources





## Electrical specifications

Power supply voltage	20 -30 V $\overleftarrow{\text{~}}$ (powered by CAN DRIVE+ bar)	
Maximum current draw	100mA	
MUSIC 1/2 and AUX 1/2 input voltage	Max. 1 Vrms non balanced between "+" and "GND" and between "-" and "GND"	
MUSIC 1/2 and AUX 1/2 input impedance	10K Ohm	
AUX 1/2 "PR" inputs	Clean contact to "GND"	
A/B PAGER lines	Microphone bases per line Current per line Total cable length per line	Max. 64 Max 1A Max. 500m

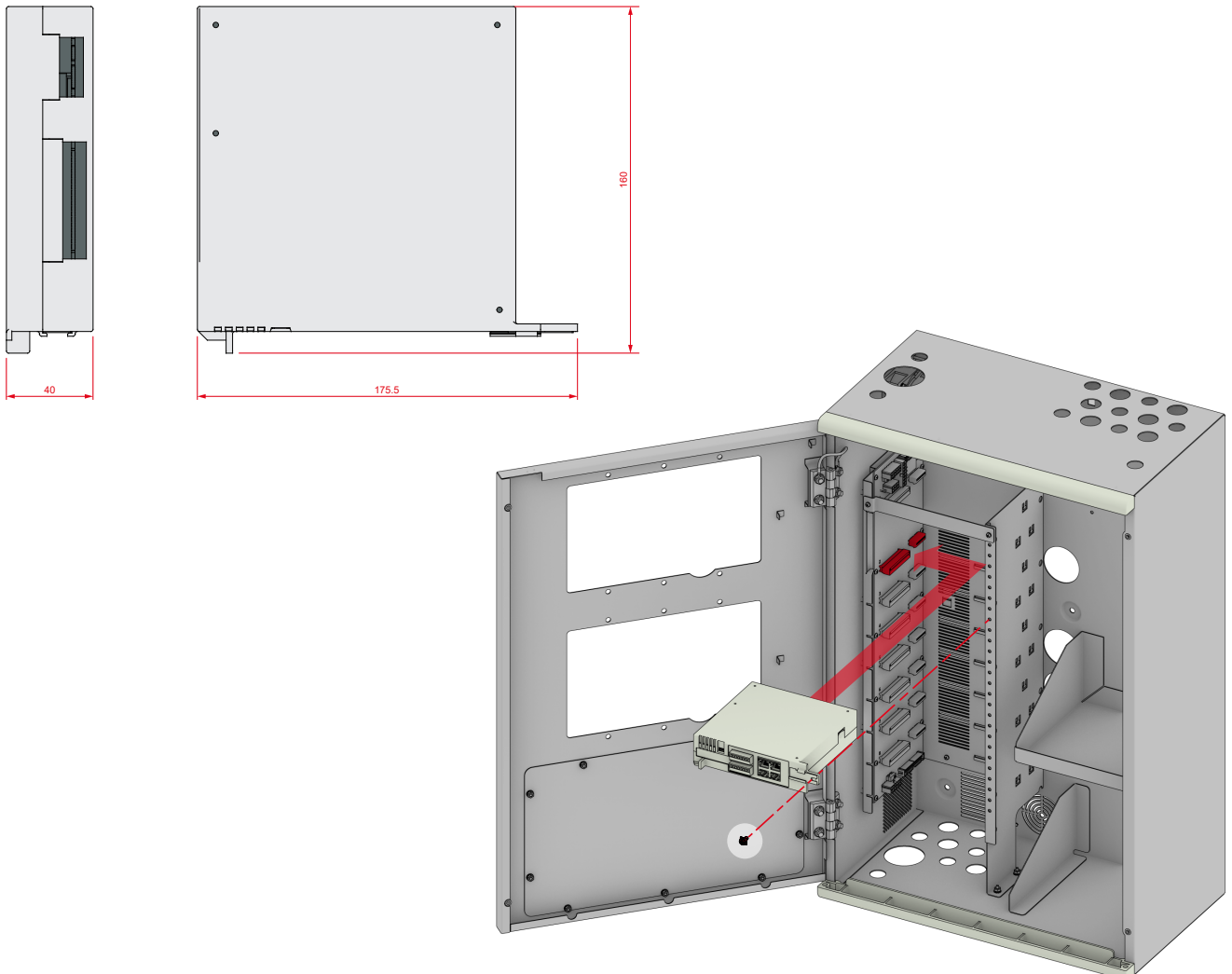
## Mechanical specifications

Dimensions	175.5 x 160 x 40 mm	
Weight	330 g	
Enclosure	material	Plastic
	colour	RAL7015
	flame class	UL 94 V-2

## Hardware specifications

Audio processing	Internal DSP
Internal audio memory	4 minutes
External audio memory	fat32 SD card, max. 32 Gbyte
FW upgrade	via mini-USB port
Activity and status LED	5

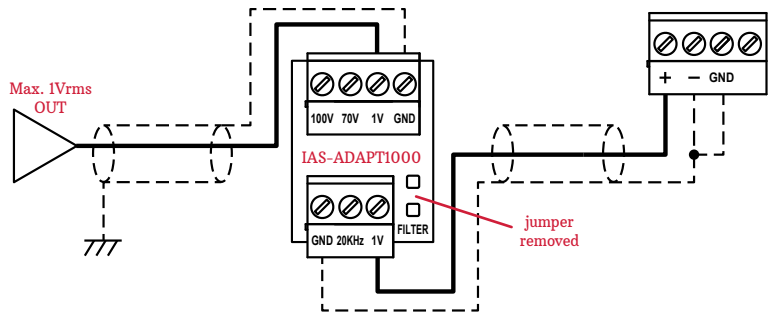
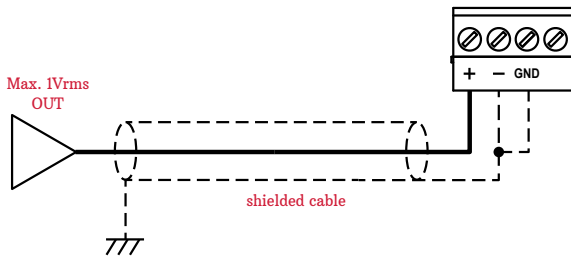
## Dimensions and installation



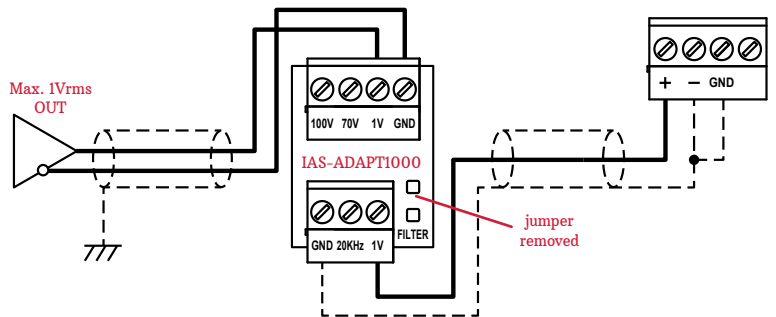
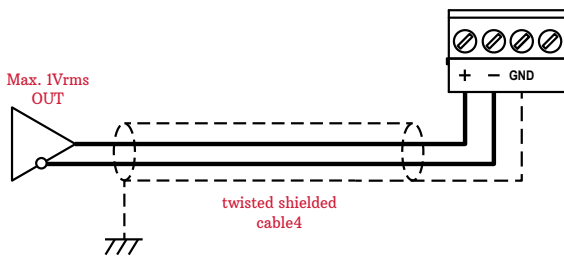


## CONNECTIONS

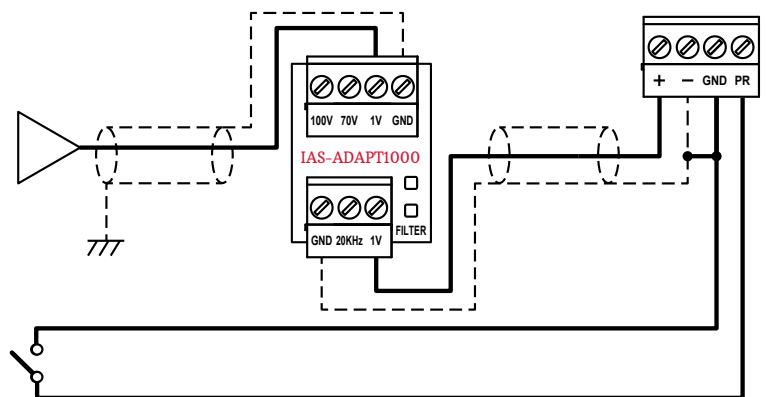
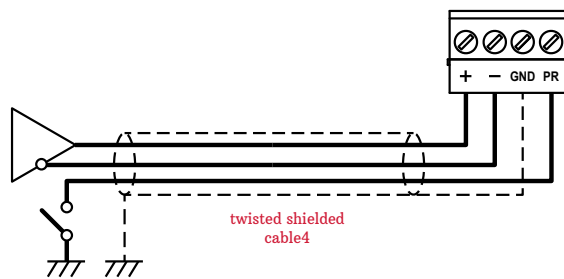
### Non balanced audio source connections



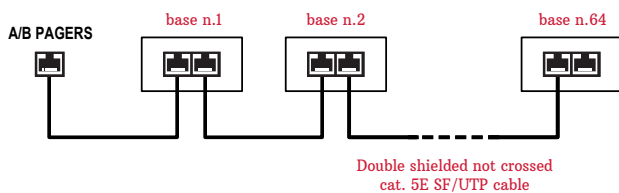
### Balanced audio source connections



### Audio source connections with priority request



### Microphone bases connection





## — ORDER CODES

- IFAMEVAC** Audio matrix module for Previdia Ultra control panels (a module supplied already assembled in Previdia-Ultravox and Previdia-Vox control panels)
- IAS-ADAPT1000** Module for adapting and decoupling audio signals input into the control panel
- IAS-LIC** Licence for IAS server



Centobuchi, via Dei Lavoratori 10  
63076, Monteprandone (AP), ITALY  
Tel. +39 0735 705007 \_ Fax +39 0735 704912

[info@inim.biz](mailto:info@inim.biz) \_ [www.inim.biz](http://www.inim.biz)

---

Inim distributor's stamp and signature