

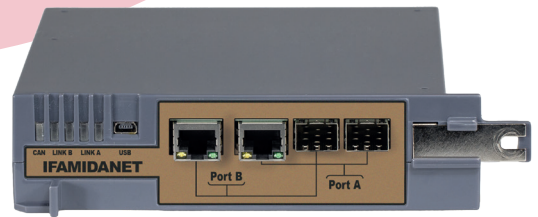


# PREVIDIA | ULTRA

## IFAMIDANET

### MODULE FOR THE CONNECTION IN IDANET NETWORK OF PREVIDIA ULTRAVOX CONTROL PANELS

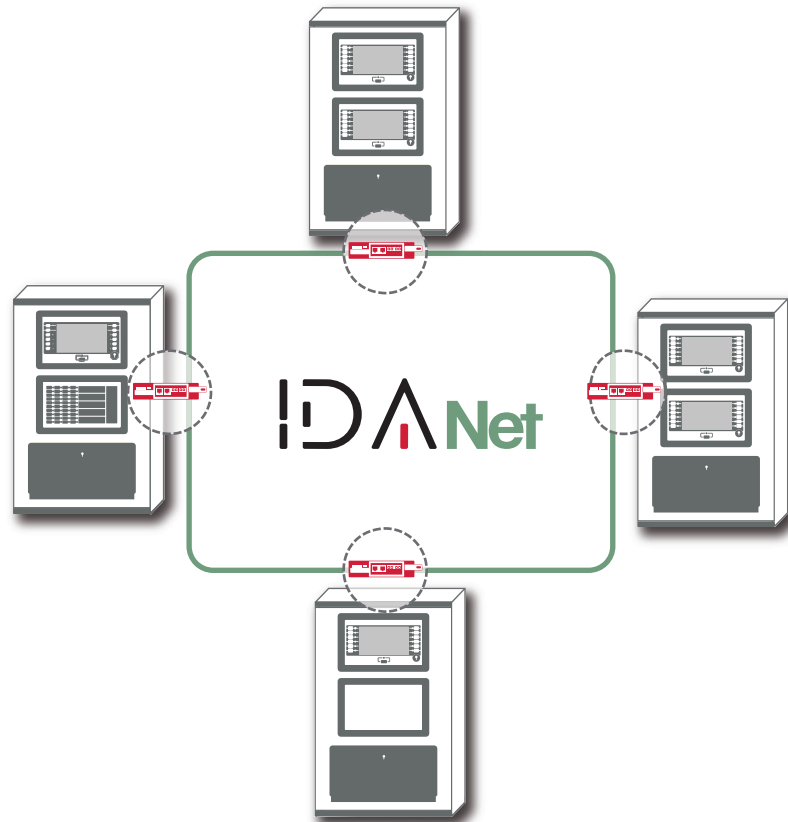
Module for the connection in IDANET network of Previdia Ultravox control panels. Provides two RJ45 sockets for the connection via CAT5 Ethernet cable (for distances up to 100m) and two sockets for housing SFP modules for the fiber optic connection. It allows the connection of up to 48 control panels and can share, along with all the system information, up to a maximum of 20 audio tracks.



### TECHNICAL SPECIFICATIONS

#### Main features

- Module for network connection of a maximum of 48 Previdia Ultra control panels
- Ring connection ("token ring")
- Automatic network configuration
- Each individual section can be completed via point-to-point Ethernet connection (maximum 100m) with UTP CAT 5 cable or via optical fiber by adding an SFP converter (100 Base FX) to the appropriate sockets
- Complete sharing of information with control panels
- Sharing of up to 20 audio tracks with control panels
- Automatic priority management of shared audio tracks
- Connection in the CAN DRIVE+ bar inside the control panel cabinet
- Hot arming/disarming ("hot swap")
- Maximum one IFAMIDANET module per control panel



#### Electrical specifications

Power supply voltage		20 -30 V <sub>DC</sub> (powered by CAN DRIVE+ bar)
Maximum current draw	with Ethernet connections	80 mA
	with fiber connections	80 mA + consumption SFP modules (@ 3.3V) divided by 7 (typically about 15mA x each converter)

#### Mechanical specifications

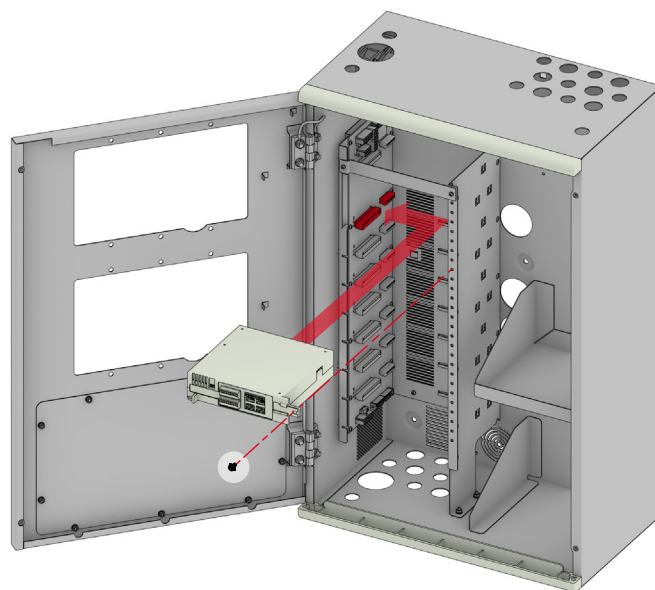
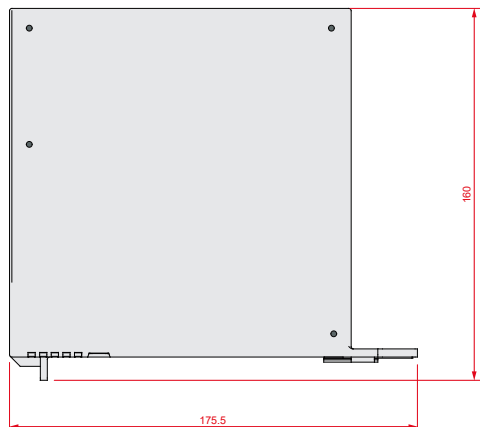
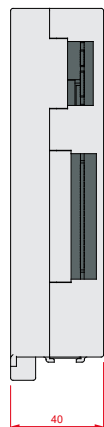
Dimensions	175.5 x 160 x 40 mm	
Weight	330 g	
Enclosure	material	Plastic
	colour	RAL7015
	flame class	UL 94 V-2

#### Hardware specifications

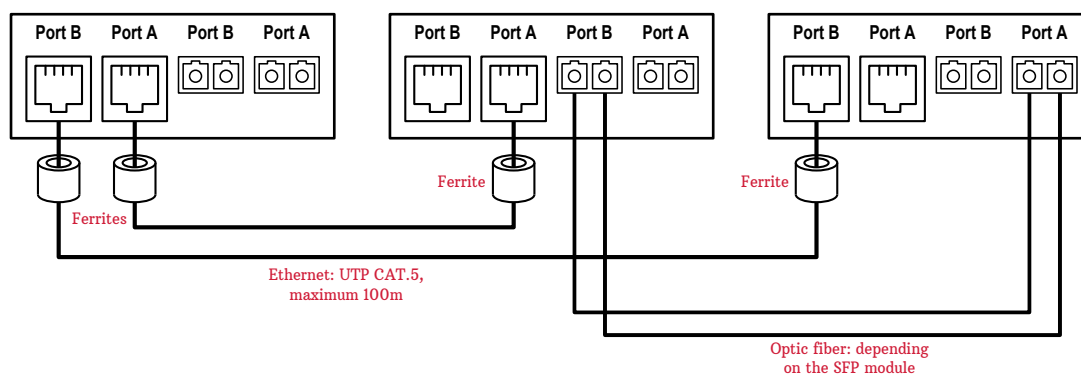
FW upgrade	via mini-USB port
Activity and status LED	5
Ethernet ports for point-to-point connection	2
Socket for 100Base-FX SFP fiber converters	2



## Dimensions and installation



## — CONNECTIONS



## — ORDER CODES

### IFAMIDANET

Module for the connection in IDANET network of Previdia Ultra control panels



Centobuchi, via Dei Lavoratori 10  
63076, Monteprandone (AP), ITALY  
Tel. +39 0735 705007 \_ Fax +39 0735 704912

info@inim.biz \_ [www.inim.biz](http://www.inim.biz)

Inim distributor's stamp and signature