



Flex Gen4 Dual Sensor Camera

Enhanced security with AI-powered multi-directional camera



Improved Situational Awareness

Available in 10MP and 16MP resolution plus superior WDR, defog and individually controllable IR per sensor



Edge Intelligence

Dedicated AI analytics built into each sensor enable independent object classification, rules and alerts with no restriction on captured data types



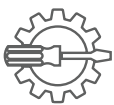
Cost-Effective

Wider field of view and lower cost of ownership with dual-head sensors, one power cable, and one VMS license



Corridor Mode

Optimized aspect ratio to get less wall and more hall regardless of deployment



Designed for Easy Install

Camera simply clicks onto mounting plate featuring clips for internal connections and a single driver for all screws



Cyber Secure

NDAA compliant, encrypted data, and conforms to rigorous JCI cyber security regime

Specifications

| Camera | 10MP (2x 5MP) | 16MP (2x 8MP) |
|--|---|--|
| Image Sensor | Sony 1/2.8" Progressive Scan CMOS imager | Sony 1/1.8" Progressive Scan CMOS imager |
| Lens | 3.42 mm – 6.85 mm, motorized focus and zoom, P-Iris F/1.85(W) – F/2.4(T) One Touch auto focus, manual and automatic focus with zoom | |
| Field of View (FoV) | H: 99.7° – 45.5° V: 68.1° – 32.7° | H: 104.4° – 47.2° V: 53.9° – 26.3° |
| Day/Night | True Day/Night CF removal | |
| Minimum Illumination | Color: 0.13 lux B/W: 0.04 lux IR on: 0 lux | Color: 0.1 lux B/W: 0.03 lux IR on: 0 lux |
| Sensor Module Control | Each sensor manually repositionable | |
| Camera Angle Adjustment | Pan 355°, Tilt 60°, Rotation 355° | |
| Electronic Shutter Control | Automatic, Manual (1/4 to 1/32000 sec) | |
| IR Illumination* <small>*Non-IR model: NA</small> | Dedicated IR per sensor 850 nm LEDs, 35 m (114.83 ft) Individually controllable | Dedicated IR per sensor 850 nm LEDs, 30 m (98.43 ft) Individually controllable |
| Memory | 2048 MB RAM, 8192 MB Flash | |

| Video | | |
|---------------------------------|---|--|
| Bandwidth Management | IntelliZip® Smart Codec | |
| Video Compression | H.264/H.265/MJPEG H.264 IntelliZip® / H.265 IntelliZip® | |
| Bitrate Control | CBR/VBR/CVBR (configurable) | |
| Resolution (HxV) & Aspect Ratio | 4:3: 2x 2560x1920 (2x 5MP) to 480x272 | 16:9: 2x 3840x2160 (2x 8MP) to 480x272 |
| Max Frame Rate (60 Hz/50 Hz) | 2MP: 60/50 fps 5MP: 30/25 fps | 2MP: 60/50 fps 8MP: 15/12.5 fps |
| Video Streams | Triple Streaming with a maximum of 5 concurrent shared streams (per sensor) | |
| Dynamic Range | True multi shutter WDR up to 120dB SmartWDR, TWDR 2x, TWDR 3x | |
| SmartDefog | Supported | |
| Image Orientation | None, Mirror, Flip, Flip and Mirror Corridor Mode (rotate 90° right or left) | |
| Picture Settings | Auto Exposure: Multiple Profiles (incl Auto, Gaming, LPR), Multiple ROI (incl AI ROI: Object, Person), Gain Control (Auto, Max, Manual), Flickerless, White Balance (Auto Normal, Auto Wide, Manual), text overlay | |
| Privacy Zones | 20 user definable rectangular zones (10 per sensor) | |
| Image Stabilization | Electronic Image Stabilization (available in future firmware release) | |

| Analytics | |
|--------------------------|---|
| AI Object Classification | Classes: Person, Bicycle, Bus, Car, Motorbike, Train, Truck, Any Class Rules: Object Detected, Perimeter, Linger, Dwell, Abandoned/Removed, Enter, Exit, Crowd, Queue Sub-Classes: Person Clothing Color (Upper, Lower), Vehicle Color |
| AI Tamper Detection | Blackout, Whiteout, Scene Change (FoV tamper) |
| AI Blur Detection | Supported |
| AI Metadata | Supported |
| Motion Detection Zones | 6 zones supported (3 zones per sensor) |

| Network | |
|-----------------------------|---|
| Network | IEEE 802.3, 10/100Base-T Ethernet, RJ45, auto sensing |
| Cyber security | ISASecure ISA/IEC 62443-4-1 certified secure development Secure boot Signed and encrypted firmware |
| Authentication and Security | TLS, HTTPS (HTTP over TLS), WS-Security, Certificate Management, Multi-level password protection, IP address filtering, HTTPS encryption, Enhanced Security (One-Click Security Hardening), User Access Log, Validate Complex Credentials, Disabling Unused Protocols, IEEE 802.1x (PEAP, EAP-TLS, EAPoL) |
| Protocols | TCP/IP, IPv4, IPv6, TCP, UDP, HTTP, FTP, DHCP, WS-Discovery, DNS, DDNS, RTP, RTCP, RTSP, TLS, Unicast, Multicast, NTP, ICMP, IGMP, SMTP, WS-Security, IEEE 802.1x, PEAP, EAP-TLS, EAPoL, SSH, HTTPS, SOAP, WS-Addressing, CIFS, UPNP, LLDP, QoS, SIP, ARP, EAP-LEAP, QoS |
| Network management | SNMPv1/v2c/v3(MIB-2) |
| Simultaneous users | 10 users |

System Integrations

| | |
|-----------------------------------|--|
| Application Programming Interface | ONVIF conformance with future firmware release Illustra iAPI via Connected partner program |
| Event Triggers | Motion Detection, Tamper & Blur Detection, AI Object classification, Alarm Input, Network Loss, Periodic Event, Temperature |
| Event Actions | Record to SD card, Snapshot, SMTP e-mail file transfer, FTP file transfer, CIFS, Auxiliary output, Audio clip playback, SIP Call |
| Audio compression | G.711 μ -law |
| Audio Input/Output | Bi-directional, 1x Line input and 1x Line output |
| External I/O Terminals | 1x Alarm In and 1x Alarm Out |

Peripherals

| | |
|------------------------|--|
| Onboard Storage | 2 x microSDXC slots, Class 10 or better, upto 2TB supported (1TB per slot), Card not included. Pre event / Post event 1- 10 sec Encrypted storage and streaming TrickleStor offline recording and backfilling via VideoEdge and ExacqVision NVR |
| Wireless configuration | Micro USB via optional USB Wi-Fi Dongle IA-KIT-WD-UUA |

Electrical

| | | |
|-----------------------|---|--------------|
| Power | Power over Ethernet (PoE+) IEEE 802.3at Type 2 Class 4 24VAC IR model: 23.1W; 1.75A Non-IR model 16.5W; 1.3A: | 23.3W; 1.75A |
| Dual Power Redundancy | Supported | |

Physical

| | |
|---------------------|---|
| Operating Condition | Operating temperature: -40°C (-40°F) to +60° C (140°F) Start-up temperature: -40°C (-40°F) Humidity: up to 95% RH, Non-Condensing |
| Casing | IP66, IP67, NEMA 4x and IK10 rated Housing: Aluminum alloy Dome: Polycarbonate Color: Signal White Pantone RAL 9003 |
| Dimensions (LxWxH) | 220mm x 123mm x 93.8mm (8.66in x 4.84in x 3.69in) |
| Weight | Net 1.2 kg (2.65 lbs), Gross 2 kg (4.41 lbs) |

Regulatory

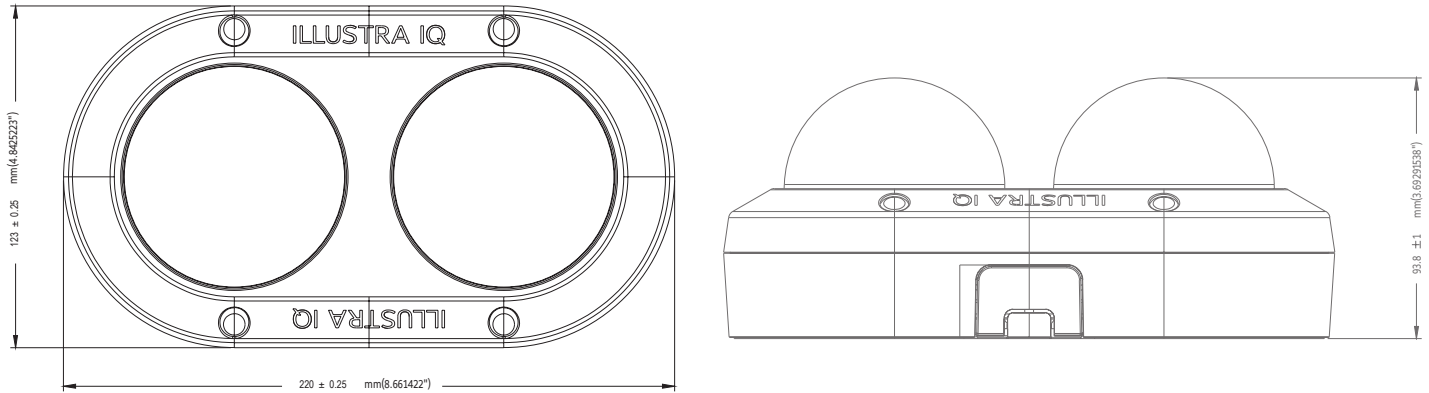
| | |
|-------------|---|
| EMC | BS/EN 55032 Class A, FCC Part 15 Class A; EN55032 Class A; AS/NZS CISPR 32 Class A; ICES-003/NMB-003 Class A, IEC/BS/EN 61000-3-2, BS/EN 61000-3-3, BS/EN 50130-4, IEC 61000-4-2/3/4/5/6/11 |
| Safety | CAN/CSA C22.2, BS/EN 62368-1, UL 62368-1, AS/NZS 62368-1, J62368-1, CEI EN 62368-1 EN50121-4, EN60950-1, UL60950-1, IEC 60950-1, CSA 22.2 No. 60950 |
| Environment | NEMA 250 Type 4X, IEC 62262 (IK10), IEC 60529 (IP66/67), RoHS, WEEE, REACH |

General

| | |
|----------------|--|
| Web Browsers | Microsoft Edge, Firefox, Safari, Chrome |
| Language | Arabic, Chinese (Simplified), Chinese (Traditional), Czech, Danish, English (default), French, German, Hungarian, Italian, Japanese, Korean, Netherlands, Polish, Portuguese, Russian, Spanish, Swedish, Turkish |
| NDAA Compliant | Yes |
| TAA Compliant | Yes |
| Warranty | 5 Years |

Camera Dimensions

Unit: mm(in)



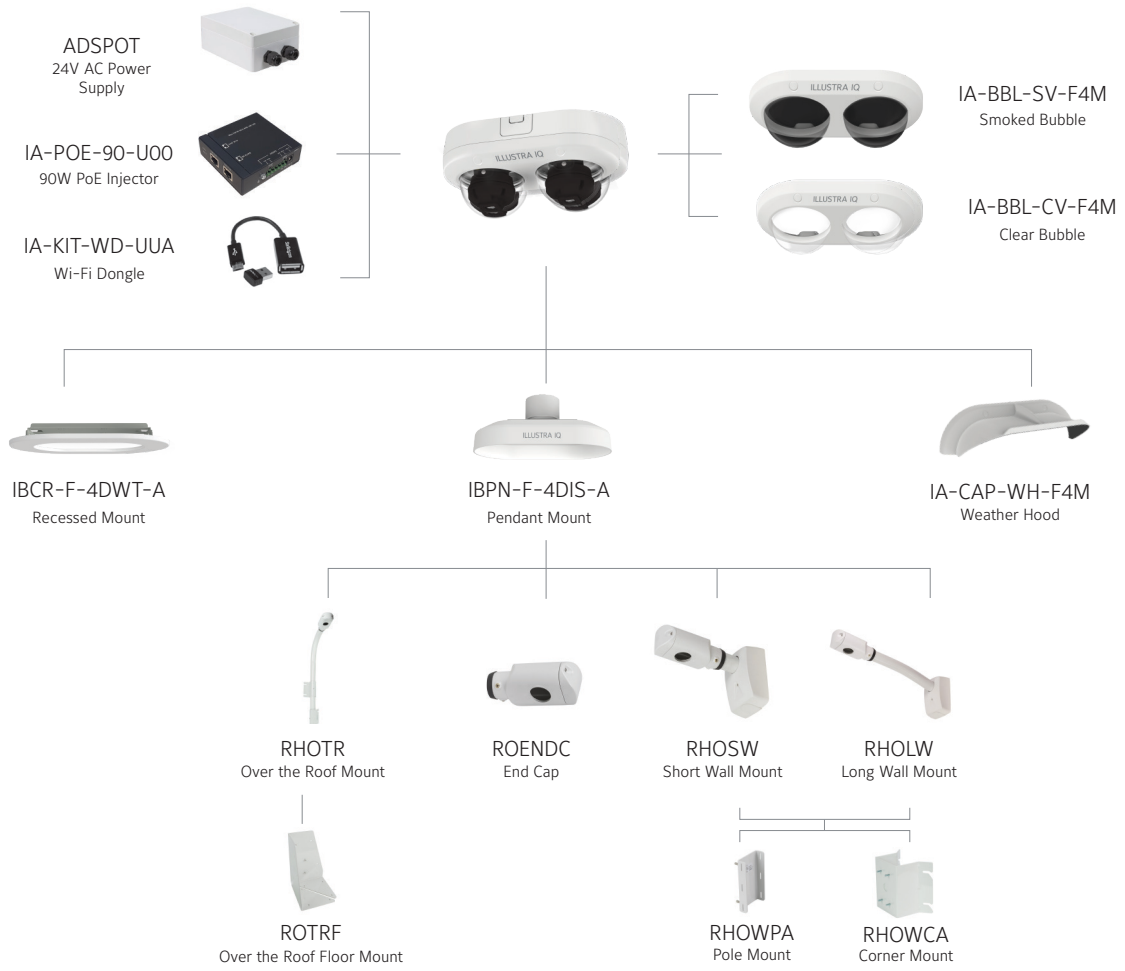
Ordering Information

| Model Number | Description |
|----------------|--|
| IFS10-M10-OIA4 | Illustra Flex Gen4 10MP Dual Sensor, MFZ 3.42-6.85mm, Edge AI, TWDR, TDN w/IR, IP66/67, IK10 |
| IFS10-M10-OTA4 | Illustra Flex Gen4 10MP Dual Sensor, MFZ 3.42-6.85mm, Edge AI, TWDR, TDN, IP66/67, IK10 |
| IFS16-M10-OIA4 | Illustra Flex Gen4 16MP Dual Sensor, MFZ 3.42-6.85mm, Edge AI, TWDR, TDN w/IR, IP66/67, IK10 |

Optional Accessories

| Model Number | Description |
|------------------|---|
| IBPN-F-4DIS-A | Illustra Flex Gen4 Dual Sensor Pendant Mount |
| IA-CAP-WH-F4M | Illustra Flex Gen4 Dual Sensor Weather Hood |
| IA-BBL-CV-F4M | Illustra Flex Gen4 Dual Sensor Clear Bubble |
| IA-BBL-SV-F4M | Illustra Flex Gen4 Dual Sensor Smoked Bubble |
| IBCR-F-4DWT-A | Illustra Flex Gen4 Dual Sensor Recessed Mount |
| RHOLW | Wall Mount, 1 1/2" NPT, long (23") (use with IBPN-F-4D15-A), white |
| RHOSW | Wall Mount, 1 1/2" NPT, short (11") (use with IBPN-F-4D15-A), white |
| ROENDC | End cap for RHOxW mounts |
| RHOTR | Over roof mount, 1 1/2" NPT, white |
| ROTRF | Over the Roof Floor Mount (use with RHOTR) |
| RHOWCA | Corner Mount (use with RHOxW and IBPN-F-4D15-A) |
| RHOWPA | Pole Mount (use with RHOxW and IBPN-F-4D15-A) |
| ADSPOT | 60w 24V AC Power Supply |
| IA-POE-90-U00-EU | 90w PoE Injector, EU and UK power plug |
| IA-KIT-WD-UUA | Illustra Wi-Fi Dongle Kit |

Accessory Chart



IL1443-DS-202308-R01-HS-EN