

MC 255

Magnetic Contact with Rotating Screw, NC

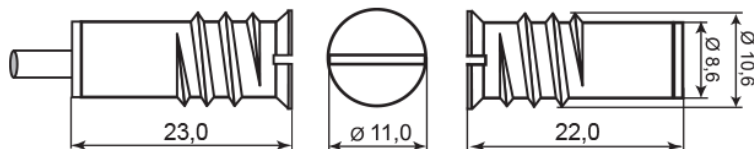
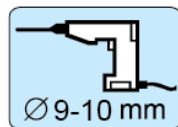
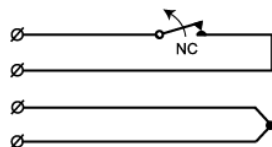


Technical data

Installation method	Recessed mounting
Contact function	Normally Closed (NC)
Approvals	EN 50131-2-6 Grade 2, Class III A VdS G 115506, Class B, SBSC 15-236, Class 2, FG, F&P Danmark, NBÚ CZ TYP 2, NBÚ SK TYP 2
Contact rating	48 VDC / 500 mA / 10 VA
Drill diameter mm	9-10
Magnet type	Neodymium (NdFeB)
Mounting on steel	Only with accessories
Make distance (wood) mm	20
Make distance (steel) mm	X
Tamper protection	Yes
Connection	Cable
Housing material	Metal
Operating temperature range	-40°C - +70°C
Housing protection class	IP 67
Contact dimensions (L x Ø) mm	23 x 11
Magnet dimensions (L x Ø) mm	23 x 11
Grade	2


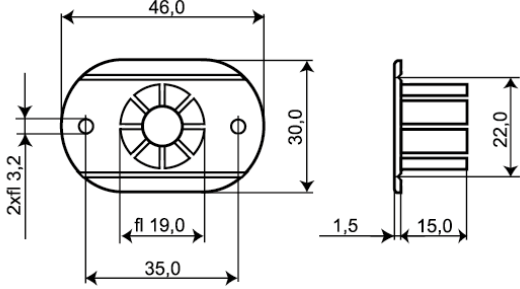
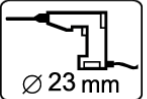

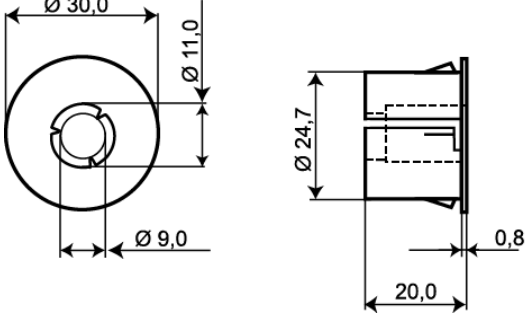
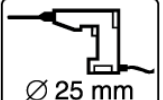



MC 255 is a universal magnetic contact in small format with NC function that can be used both in alarm and access control systems for monitoring e.g. doors and windows against unauthorized opening. Both the contact and the magnet part are made of Al-alloy and formed in the shape of a threaded screw, which allows for easy installation into wood or plastic. The magnetic contact has a rotating screw system which protects the cable from mechanical stress in tight spaces. With our extensive range of installation accessories it is easy to install the contact either recessed or as a surface mount on metal and other materials. The contact part is sealed with special epoxy, making it water resistant.



ORDERING INFORMATION

Related products and accessories

	<p>MC 200-S11</p> <p>Plastic Flange for MC 240, 246, 247, 250, 255, 270, 272, 275</p>		
	<p>MC 200-S21</p> <p>Plastic Snap-in Flange for MC 240, 246, 247, 250, 255, 270, 272, 275</p>		
	<p>MC 200-S31</p> <p>Plastic Snap-in Flange for MC 240, 246, 247, 250, 255, 270, 272, 275</p>	