

Accessories for the Cidron reader

The Cidron reader accessories includes products that facilitate installation, assist with complying to legislation and protect the reader from external factors.

Today, the competition is very tough in many markets, making it increasingly more important to stand out from the crowd and therefore we also offer the opportunity to profile your readers for increased recognition. You can choose between a laser engraved or printed logo in single color or in full color. This way, you get the readers to follow your or your customer's graphic profile.



Cidron Standard
 Color: Black



Cidron Slimline
 Color: White

Vandalization Protection for the Cidron reader

The Cidron reader vandalization protection is an accessory that protects the reader and helps it withstand violence by absorbing and redirecting external forces away from the reader.

In certain environments such as schools and penitentiaries, readers are subjected to an increased risk of vandalism. Even though the reader is robust in its basic design, an extra layer of protection might be needed in high-risk environments.

The vandalization protection is available for all Cidron reader models, and comes in the color black. It is securely fastened to the wall using the installation kit supplied.



Cidron Standard
Color: Black
Dimensions: 120x147x31 mm



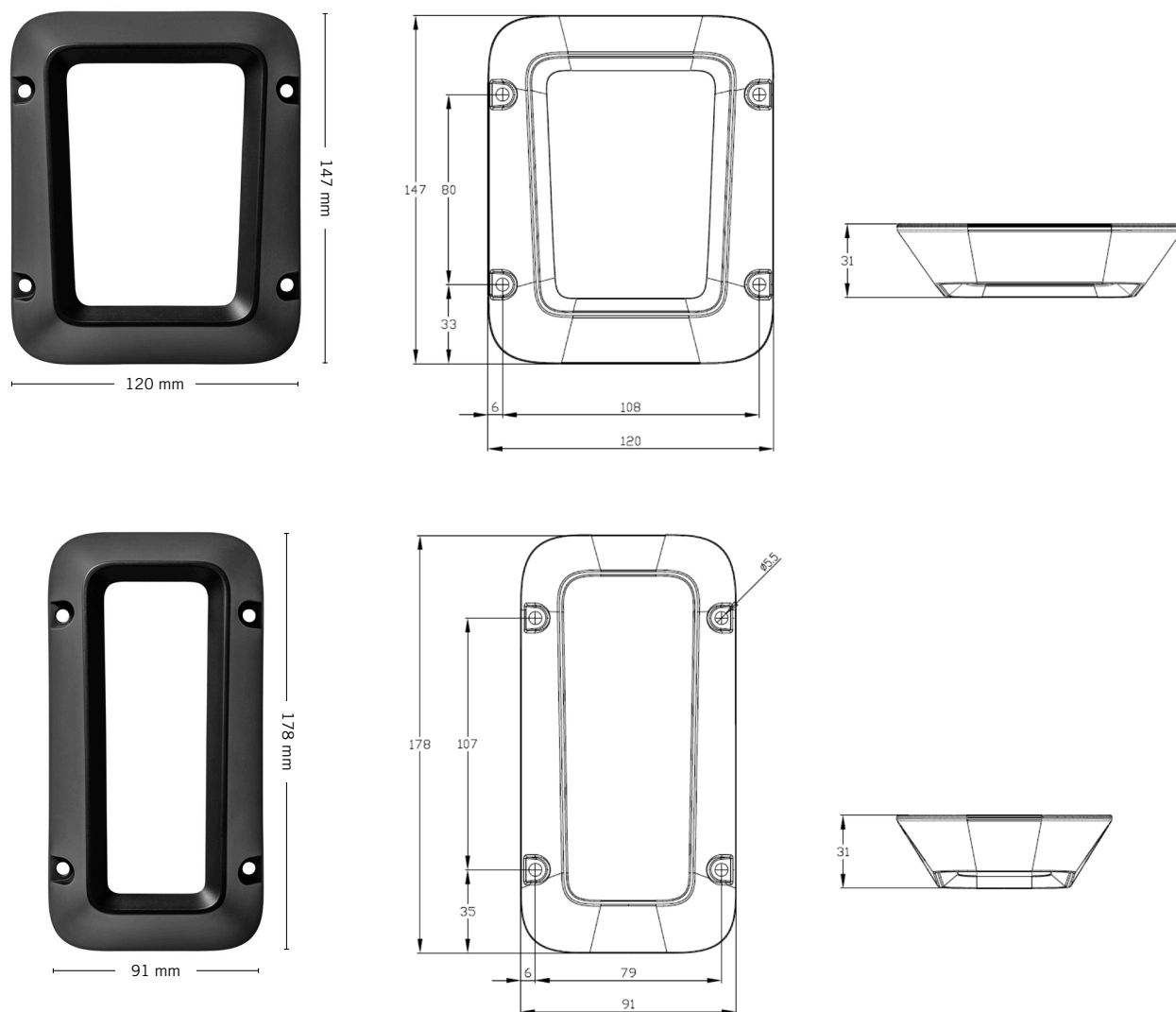
Cidron Slimline
Color: Black
Dimensions: 91x178x31 mm

Specifications

- The supplied screws require the installation tool Security Torx TT25.
- The vandalization protection can easily be retrofitted to already installed Cidron readers.

Compatible accessories

- Distance plates for the vandalization protection for the Cidron reader.



Part No.	Description	Dimensions
SC9180-S	Cidron Vandalization Protection Standard/Combi, Matte Black	120x147x31 mm
SC9280-S	Cidron Vandalization Protection Slimline/Slimline E, Matte Black	91x178x31 mm

Distance plate for the Cidron reader

A Distance plate enables smooth and flexible installations. When a reader shall be installed in an environment where additional cover is needed, for example to hide old installation holes or to cover an uneven surface, our recommendation is to use a distance plate.

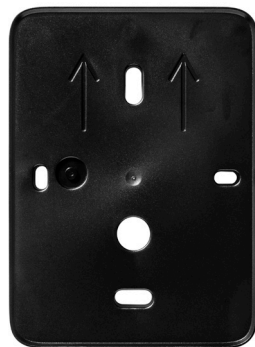
The distance plates comes in two sizes, standard and large, for different applications. You will find dimensions in the specification below.

If you add Vandalization protection for your Cidron reader, you need to make sure to select the large distance plate for your type of Cidron reader: Standard/Combi or Slimline/Slimline E.

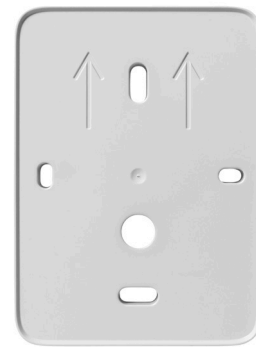
Installation guidelines on how to mount a distance plate is included in the installation manuals for all Cidron models you can find under the tab "Downloads" at seriline.com.

The Cidron reader accessories includes products that:

- **facilitate installation**
- assist with complying to legislation
- protect the reader from external factors



Distance plate standard size.
 Part No: SC9191-S (black).



Distance plate standard size.
 Part No: SC9191-V (white).

Specifications

- Material: Polycarbonate
- The distance plate comes in two different sizes, standard and large. Both versions are available for the Cidron Standard/Combi and the Cidron Slimline/Slimline E readers.
- When using a Vandalization protection, select distance plate large for the installation.
- The distance plates are also available in versions with different angels.

Product specification and part numbers

Distance plate for Cidron Standard and Combi readers. Standard size:

Part No SC9191-S (black) and SC9191-V (white).

Dimensions: L 82mm. H 112mm. W 10mm.

Distance plate for Cidron Standard and Combi readers. Large size:

Part No SC9197-S (black) and SC9197-V (white).

Dimensions: L 133mm. H 159mm. W 11mm.

Distance plate for Cidron Slimline and Slimline E readers. Standard size:

Part No SC9291-S (black) and SC9291-V (white).

Dimensions: L 50mm. H 143mm. W 10mm.

Distance plate for Cidron Slimline and Slimline E readers. Large size:

Part No SC9297-S (black) and SC9297-V (white).

Dimensions: L 104mm.H 190mm. W 11mm.

Part No.	Description
SC9191-S	Distance plate for Cidron Standard and Combi readers, black. Standard size.
SC9191-V	Distance plate for Cidron Standard and Combi readers, white. Standard size.
SC9197-S	Distance plate for Cidron Standard and Combi readers, black. Large size.
SC9197-V	Distance plate for Cidron Standard and Combi readers, white. Large size.
SC9291-S	Distance plate for Cidron Slimline and Slimline E readers, black. Standard size.
SC9291-V	Distance plate for Cidron Slimline and Slimline E readers, white. Standard size.
SC9297-S	Distance plate for Cidron Slimline and Slimline E readers, black Large size.
SC9297-V	Distance plate for Cidron Slimline and Slimline E readers, white Large size.

Angled Distance plate for the Cidron reader

To increase accessibility as well as visibility of the Cidron reader keypad, an angled distance plate is recommended, specially for installations at hospitals and local authorities, in order to comply to the Equality Act.

The distance plate is available in two different angles, 10° and 33°. The 33° Angled Distance plate is adapted for people in wheelchairs with the recommended installation height of 900mm (center of reader) above the ground/floor.

The angled distance plates are available for all Cidron reader models.

Installation guidelines on how to mount a distance plate is included in the installation manuals for all Cidron models you can find under the tab "Downloads" at seriline.com.

The Cidron reader accessories includes products that:

- **facilitate installation**
- **assist with complying to legislation**
- protect the reader from external factors



Angled Distance plate for Cidron Standard and Combi readers with a 33° angel.



Angled Distance plate for Cidron Slimline and Slimline E readers with a 33° angel.

Specifications

- Material: Polycarbonate
- The angled distance plate comes in two versions, with a 33°angel and with a 10°angel. Both versions are available for the Cidron Standard/Combi and the Cidron Slimline/Slimline E readers.

Product specification and part numbers

Angled Distance plate for Cidron Standard and Combi readers with a 33° angel:

Part No SC9192-S (black) and SC9192-V (white).

Dimensions: 105 x 75 x 10mm

Angled Distance plate for Cidron Standard and Combi readers with a 10° angel:

Part No SC9193-S (black) and SC9193-S-V (white).

Dimensions: 105 x 75 x 10mm

Angled Distance plate for Cidron Slimline and Slimline E readers with a 33° angel:

Part No SC9292-S (black) and SC9292-V (white).

Dimensions: 141 x 48 x 20mm

Angled Distance plate for Cidron Slimline and Slimline E readers with a 10° angel:

Part No SC9293-S (black) and SC9293-V (white).

Dimensions: 141 x 48 x 20mm

Part No.	Description
SC9192-S	Angled Distance plate for Cidron Standard and Combi readers with a 33° angel, black.
SC9192-V	Angled Distance plate for Cidron Standard and Combi readers with a 33° angel, white.
SC9193-S	Angled Distance plate for Cidron Standard and Combi readers with a 10° angel, black.
SC9193-V	Angled Distance plate for Cidron Standard and Combi readers with a 10° angel, white.
SC9292-S	Angled Distance plate for Cidron Slimline and Slimline E readers with a 33° angel, black.
SC9292-V	Angled Distance plate for Cidron Slimline and Slimline E readers with a 33° angel, white.
SC9293-S	Angled Distance plate for Cidron Slimline and Slimline E readers with a 10° angel, black.
SC9293-V	Angled Distance plate for Cidron Slimline and Slimline E readers with a 10° angel, white.

Climate Protection for the Cidron reader

Even though the reader is robust in its basic design, an extra layer of weather protection might be needed in certain environments. The shield protects the reader from snow, rain and sunlight and comes in two different colors, transparent and white, for different applications.

The white Climate protection is recommended when the reader needs to be covered from sunlight. The color also makes it harder for unauthorized to observe a user pin code.

The transparent Climate protection provides the user with a good visibility of the reader and the key pad, even from different angles and heights.

The Climate protection can easily be modified to fit all Cidron reader models, Standard/Combi/Slimline/Slimline E.

The Cidron reader accessories includes products that:

- facilitate installation
- assist with complying to legislation
- **protect the reader from external factors**



Climate Protection
Color: Transparant
Part No: SC9901-T



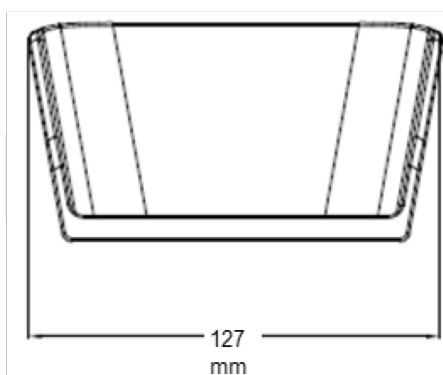
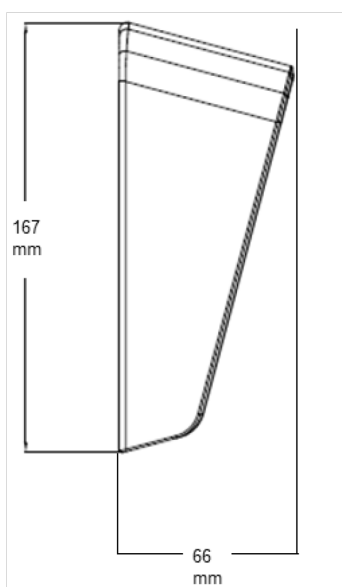
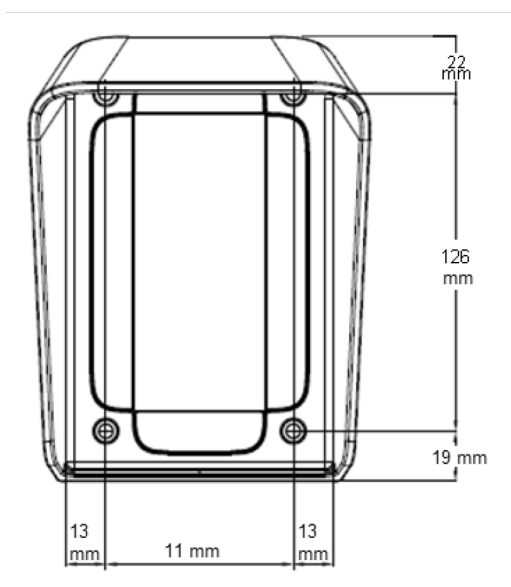
Climate Protection
Color: White
Part No: SC9901-V

Specifications

- Dimensions: 125 x 165 x 70mm
- Material: Polycarbonate

Installation support

- Four screws and screw plugs are supplied together with the accessory for installation of the Climate protection
- The supplied screws require the installation tool Security Torx TT25
- Download manuals, product sheets and installation tutorials for the entire Cidron family under the tab



Part No.

Description

SC9901-T

Cidron Climate Protection, transparent

SC9901-V

Cidron Climate Protection, white

Installation tool for CIDRON Std/Combi/Slim

The CIDRON installation tool is designed to securely open the card reader. The special made shape makes it easy to insert the tool into the locking part to release the frame for service and maintenance work.



Installation tool can be ordered in packs of 10 pcs.

Part number: SC9914

Tamper switch bracket for installation box, CIDRON Std

The tamper switch bracket shall be used to ensure that the tamper switch is closed and functioning when a card reader is mounted over an empty installation box.



The tamper switch bracket can be ordered in pack of 10 pcs.

Part number: SC9189-RF

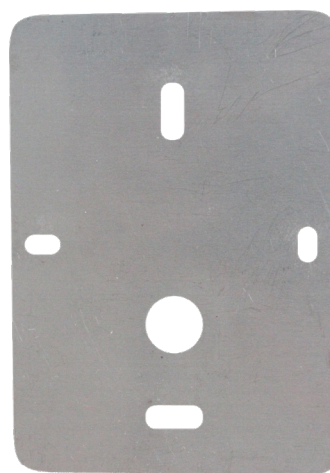
Acid resistant stainless-steel spacer plate for uneven wall mounting

To ensure full function of the tamper switch in the Cidron reader, the spacer plate should be mounted behind the Cidron card reader's back plate on uneven wall installations

The acid resistant stainless-steel plate comes in two sizes, Standard and Slim, and can be ordered in packs of 5 pcs.



Part number: SC9916



Part number: SC9915

Part No.	Description
SC9914	Installation tool
SC9189-RF	Tamper switch bracket
SC9916	Spacer plate Slim
SC9915	Spacer plate Std/Combi